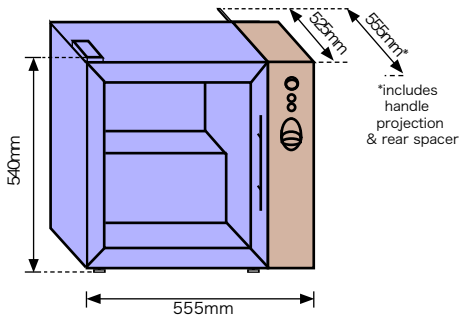


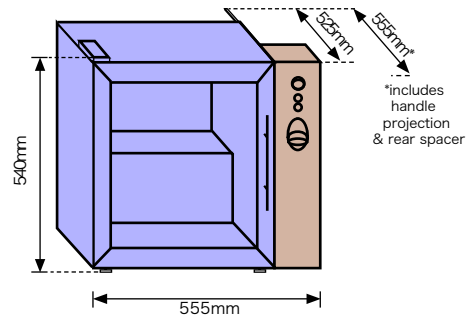
# Pod Bar Example Configuration Options & Dimensions

You can build your Pod Bar with any number of fridges horizontally or vertically\* - Here are some example dimensions:

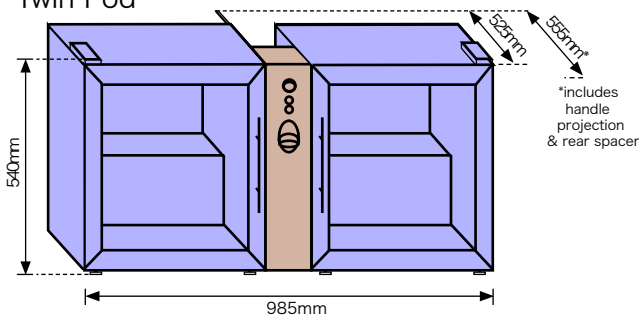
Pod Bar (with full depth housing)



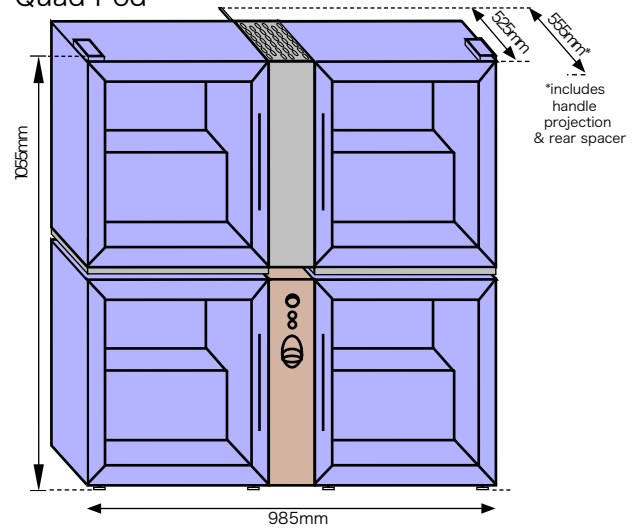
Pod Bar (with standard Tower housing)



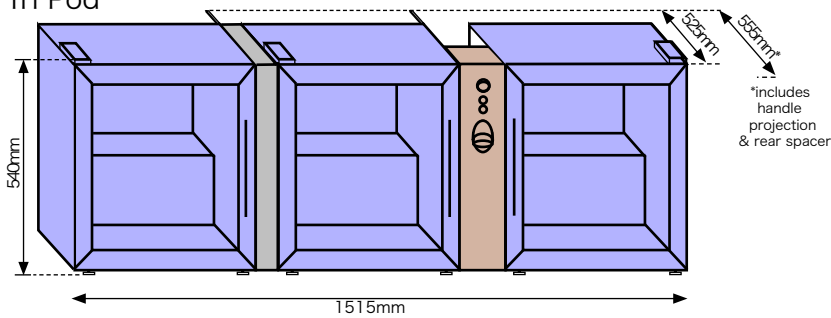
Twin Pod



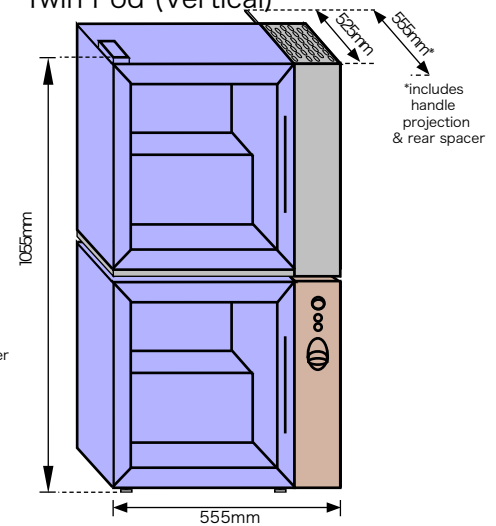
Quad Pod



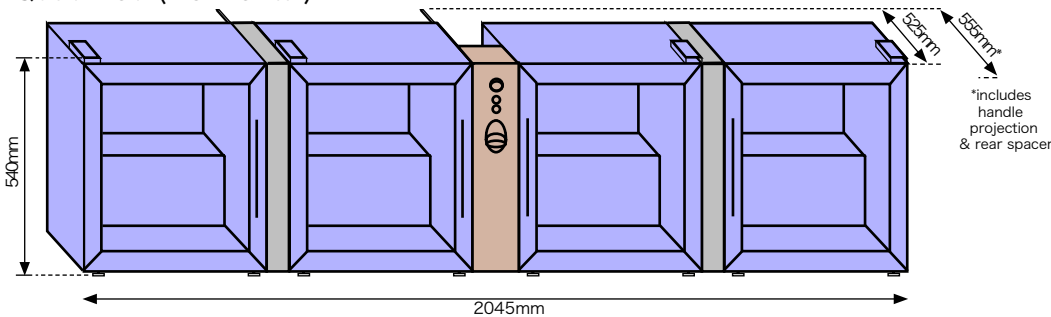
Tri Pod



Twin Pod (Vertical)



Quad Pod (Horizontal)



Add more Pod Fridges at any stage in the future without additional investment in the wine preservation technology element (the integral Le Verre de Vin Tower system reseals an unlimited number of opened bottles).

\*We recommend that vertical configurations are a maximum of 2 Pod Fridges high